



EVI DC Inverter Heat Pump Model V series Air to Water | R32 Monobloc

Technical Datasheet

Tongyi TAHMV5 A Monobloc Heat Pump



Introducing Tongyi TAHMV5 A R32 Monobloc EVI DC Inverter air-to-water heat pump, a dynamic solution delivering efficient heating and cooling with an electric power rating of 5.1 kW. Designed to fulfil the heating requirements of well-insulated residential apartments ranging from 50 to 70m², the TAHMV5 A unit is optimised for your comfort.

Equipped with R32, this Monobloc Heat Pump, boasts integrated features such as WIFI control, an embedded thermostat, and an LCD touch wire controller, all designed for effortless operation. The TAHMV5 A is a versatile performer, generating domestic hot water and delivering heating to fulfil your residential requirements.

Designed as an outdoor unit, this R32 Monobloc unit is characterised by its ease of installation, water system connectivity, and simple maintenance. The unit's standard configuration includes an IoT function that allows you to remotely manage after-sales concerns, putting the power of renewable, efficient heating right at your fingertips.

Elevate your living experience with Tongyi's TAHMV5 A Monobloc EVI DC Inverter heat pump—a perfect blend of innovation, efficiency, and convenience.

Certified Excellence: Our products hold a range of esteemed certifications, including CE, LVD, EMC, RED, ErP, UKCA, ISO, RoHS, SG Ready, while also being eligible for subsidies such as BAFA (Germany) and ISDE (Netherlands).



Intelligent Control System

- Automatic defrosting function
- Precise temperature control function
- WIFI control app + touch-screen LCD controller
- Ultra-low temperature EVI technology
- 24-hour IoT after-sales support system



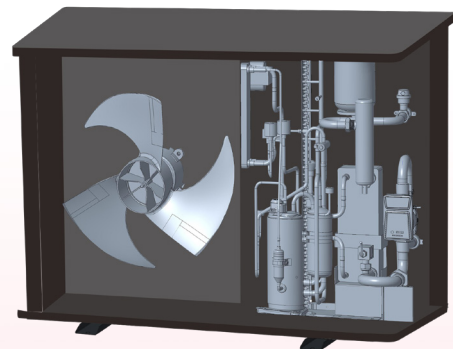
Eco-Friendly Machine

- R32 refrigerant
- Air source heating
- A+++ energy efficiency
- PV Ready function
- Smart Grid Ready function
- Energy consumption monitor (Optional)



User-Friendly Design

- Monobloc Unit
- Easy Installation & Maintenance
- Versatile Noise Reduction
- Heating, Cooling & Domestic Hot Water Functions



Technical Data

Model	Max Capacity	ErP Level(35°C)	SCOP(35°C)	ErP Level(55°C)	SCOP(55°C)
TAHMV5 A	6.50kW	A+++	4.51	A++	3.38

PERFORMANCE

A7W35		A7W55	
Rated Capacity (kW)	5.10	Rated Capacity (kW)	5.80
Rated Input Power (kW)	1.10	Rated Input Power (kW)	1.85
Rated COP	4.63	Rated COP	3.14
Capacity Range (kW)	3.00-6.43	Capacity Range (kW)	3.40-6.00
Input Power Range (kW)	0.60-1.54	Input Power Range (kW)	1.12-2.20
A20W15-55		A35W18	
Rated Capacity (kW)	7.00	Rated Capacity (kW)	5.00
Rated Input Power (kW)	1.50	Rated Input Power (kW)	1.50
Rated COP	4.66	Rated EER	3.30
Capacity Range (kW)	2.60-8.00	Capacity Range (kW)	2.80-7.00
Input Power Range (kW)	0.52-1.85	Input Power Range (kW)	0.80-2.30

POWER SUPPLY

Power Supply(Volts/Ph/Hz)	Max. Input Power (kW)	Max. Input Current (A)
220/1/50	2.2	10

NOISE LEVEL

1m Sound Pressure (dB(A))	10m Sound Pressure (dB(A))	Sound Power (dB(A))
44	27	58

OPERATION RANGE

Ambient temperature (°C)	Water setting temperature range (°C)	Max. Outlet Water Temperature (°C)
-25/43	30/55	60

KEY COMPONENTS

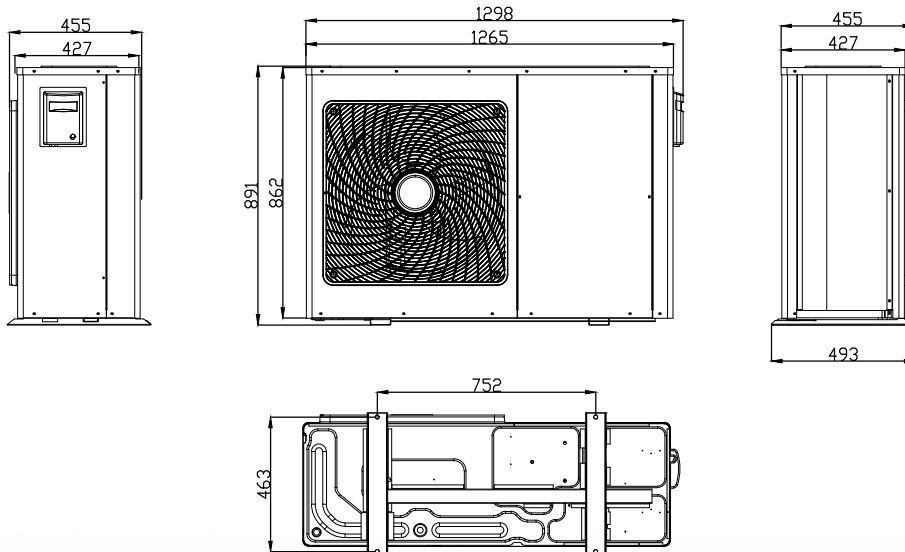
COMPRESSOR	PUMP	FAN	PIPING CONNECTIONS	HYDRONIC
Type	Circulation Pump Water Head (m)	Type	Piping Connections Inlet/Outlet	Rated WaterFlow Rate (m ³ /hr)
EVI DC inverter	8	BLDC	DN25	0.9

REFRIGERANT

Type	GWP	Charge (kg)	CO2 Equivalent (ton)
R32	675	2.2	1.485

PACKING

Dimensions (Lx Wx H, mm)	Packing Dimensions (Lx Wx H,mm)	Net Wt. (kg)	Approx. Shipping Wt. (kg)
1298x455x891	1340x523x1015	100	115



Facebook



Twitter



Instagram

Guangdong Tongyi Heat Pump Science and Technology Corp.

Head office: 20/F, South Tower, No.159 Middle Qiaozhong Road, Liwan District, Guangzhou

Factory office: No.2, Chuangye South Road, Songxia Industrial Park, Nanhai, Foshan

Tel.: +86-20-81419999 Website: tongyiheatpump.com E-mail: info@tongyiheatpump.com